

INLINE® MULTIFUNCTIONAL HUB

3x USB-A 5 Gb/s, HDMI 4K/60 Hz, USB-C PD 100 W



- **Efficient expansion via USB-C:** The hub adds three USB-A ports, HDMI video output, and USB-C Power Delivery to USB-C-enabled devices.
- **High-resolution HDMI output:** Supports resolutions up to 3840 x 2160 at 60Hz for connecting external displays.
- **Power supply with up to 100 W:** The USB-C Power Delivery input forwards the power to the connected device.
- **Durable aluminum housing:** Ensures mechanical stability and long-lasting use in everyday applications.
- **Cross-system compatibility:** Works with Windows, macOS, and Linux without additional drivers.

The InLine® multifunction hub offers a reliable way to use multiple functions simultaneously via a single USB-C connection. The device provides three USB-A ports that support USB 3.2 Gen.1. These enable data transfers at up to 5 Gb/s and are suitable for connecting common peripheral devices.

The integrated HDMI port allows image signals of up to 3840 x 2160 at 60Hz to be transmitted to external monitors or projectors. This enables use in multimedia work environments and for presentation purposes. An additional USB-C Power Delivery input is used for power supply. When connected to a suitable power supply, the connected device can be supplied with up to 100 W.

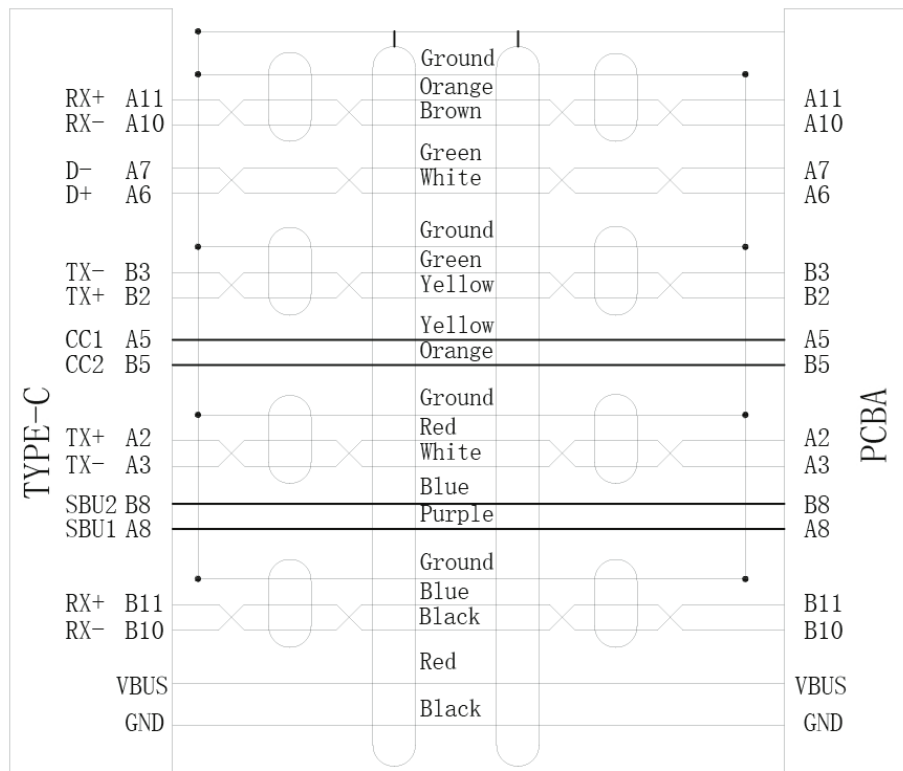
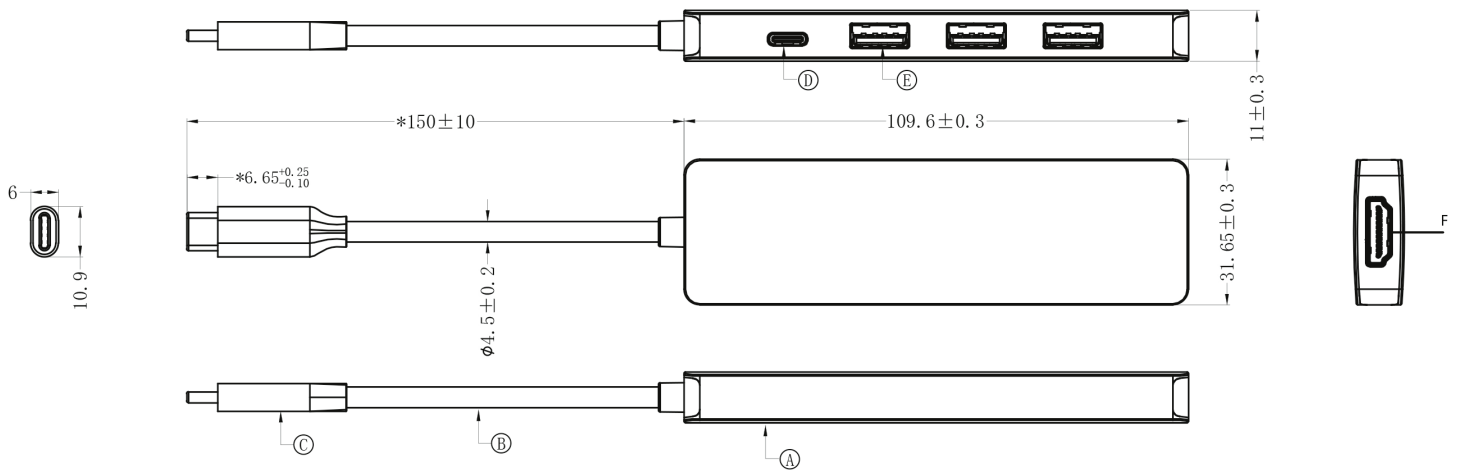
The robust aluminum housing reliably protects the internal electronics. The hub is connected via a permanently integrated USB-C cable. Support for Windows, macOS, and Linux operating systems ensures high flexibility when integrating into existing systems.

- 3x USB-A: USB 3.2 Gen.1, up to 5 Gb/s
- 1x HDMI: up to 3840 x 2160 @ 60Hz
- 1x USB-C Power Delivery: PD up to 100 W
- Housing material: Aluminum
- Supported operating systems: Windows, macOS, Linux
- Operating temperature: 0 °C to +40 °C
- Storage temperature: -20 °C to +60 °C
- Permissible humidity: 20-80%, non-condensing

Technical Data	
Article height:	1.1 cm
Article length:	11 cm
Article width:	3.1 cm
Card reader:	No
Colour:	Grey
Connection:	USB-C
Device type:	USB hub
Ports:	3x USB 3.2 Gen.1
Power supply:	No
Transmission rate:	5 Gb/s
Type:	USB 3.2 Gen.1 USB-C Multi Hub
USB cable:	USB-C male
USB specification:	USB 3.2 Gen.1



Item No.	Color	EAN
33271A	Grey	4043718349289



NO	ITEM	DESCRIPTION
F	CONNECTOR 4	HDMI female Nickel-palted support: 4K60HZ
E	CONNECTOR 3	USB-A 3.2 GEN.1 female*3 Nickel-plated Support: 5gbps
D	CONNECTOR 2	TYPE-C female Nickel-plated Support: 100W
C	CONNECTOR 1	TYPE-C male Nickel-plated
B	Cable	32AWG TC+24AWG TC+TPE OD:4.5MM L:15CM
A	HOUSING	Aluminum Shell, Color: Space Gray PCBA chips: :GSV2201S+CN3905+GL3510

NOTES:
ELECTRICAL CHARACTER:
1.100% OPEN&SHORTTESTING.
2.RoHs 2.0, Reach and CE Compliant
3. Support: HDMI:4k 60hz,
USB-A 3.2 GEN.1:5GBPS,
Type-c:PD100W

If you have any further questions, please contact marketing@inline-info.com

www.inline-info.com/en/

Disclaimer

InLine® is a brand of INTOS ELECTRONIC AG | Siemensstraße 11 | D-35394 Gießen

Documentation © 2026 INTOS ELECTRONIC AG

All rights reserved. No part of this document may be reproduced in any form or by any means, electronic, mechanical or chemical, without the prior written permission of the publisher. It is possible that this document may still contain typographical faults or misprints.

However, the information in this document will be checked regularly and corrections will be made in the next edition. We accept no liability for errors of a technical or printing nature and their consequences. All trademarks and industrial property rights are acknowledged. Changes in the sense of technical progress can be made without prior notice. Our products, including packaging, are not toys, they may contain small parts and sharp objects.

Please keep away from children.